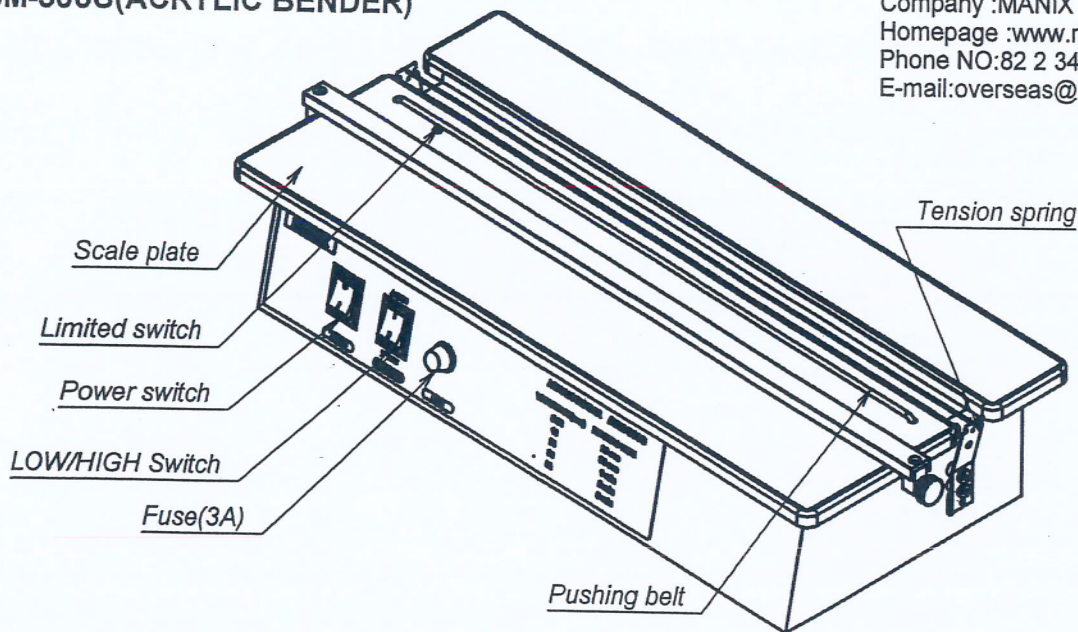


ABM-500S(ACRYLIC BENDER)

Company :MANIX Co.,Ltd.
Homepage :www.manix.co.kr
Phone NO:82 2 3474 8765
E-mail:overseas@manix.co.kr



1. Features

- Keep safety with limited switch.
- Easy to repeat same work using fence.
- Tension spring make Ni-Chrome wire tightly.
- For protecting from a fire a fuse is installed in transformer.

2. Specifications

- Heating capacity width: 500 mm
- Heating capacity thickness: 1.0~5.0mm
- Heating Type: Ni-Chrome Wire
- Power: 220~240V, 50~60Hz, output: 150W
- Wire thickness: $\varnothing 0.9\text{mm}$
- Dimensions: 580x275x125mm
- Weight: 8Kg

3. Contents

- Main machine
- Fence
- Protractor
- Extra Ni-Chrome wire
- Power cable

5. How to use ABM-500S and replace Ni-Chrome wire

① Using ABM-500S

- Put an acrylic sheet on the table and fix it with pushing bend.
- Turn it on power switch and heating the acrylic sheet.
- After check heating status and bend it as you need.
- For more information visit www.manix.co.kr

② Replace Ni-Chrome wire

- loose fixing bolt and take off Ni-Chrome wire
- Roll new Ni-Chrome wire on the fixing bolt few times and tighten the fixing bolt.
- Repeat one more time on opposite side.

☞ Caution: Keep the wire tension with tension spring.